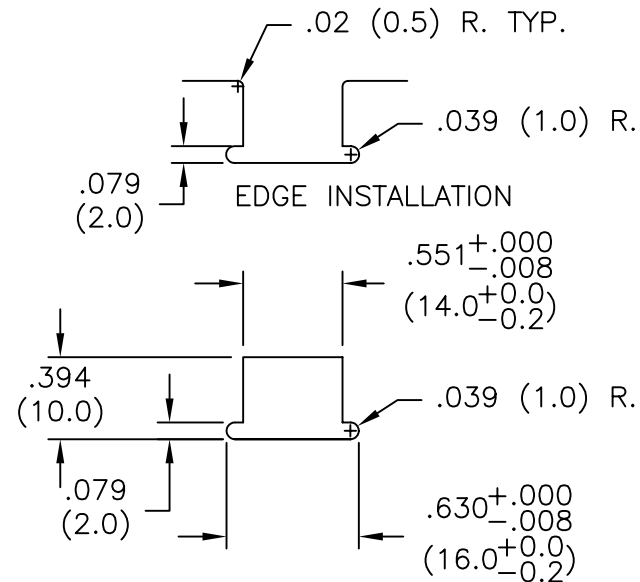


RECOMMENDED INSTALLATION
 PANEL THICKNESS
 RANGE: .032 TO .079
 (0.8 TO 2.0)



NOTES:

1. MATERIAL: NYLON 66 (RMS-01).
 FLAME RETARDANT NYLON (RMS-19)
 AVAILABLE BY SPECIAL ORDER.
2. COLOR: NATURAL.

TITLE: SUPER CORNER SADDLE			DWG IN IN (MM)		FINAL			
TOLERANCES UNLESS NOTED .XX=±.010 .XXX=±.005 FRAC=±1/64 ANG=±1°			FILE # EWSJS	DWN: JB	DT: 10/12/95		PART #	
B CHANGED NOTE 1, ADDED NOTE 2 SJ 03.27.02			MAT'L: SEE NOTES		CHKD:		ENGR:	
A DIM .079 ADDED, INSTALLATION DIM'S PUT TO 3 PLACES PB 01.04.96			RE: RICHCO, INC.		RICHCO INC. PO BOX 804238, CHICAGO, 60680 (773) 539-4060		EWSJS-1-01	
REV DESCRIPTION ENGR DATE							PRINT TYPE CA	